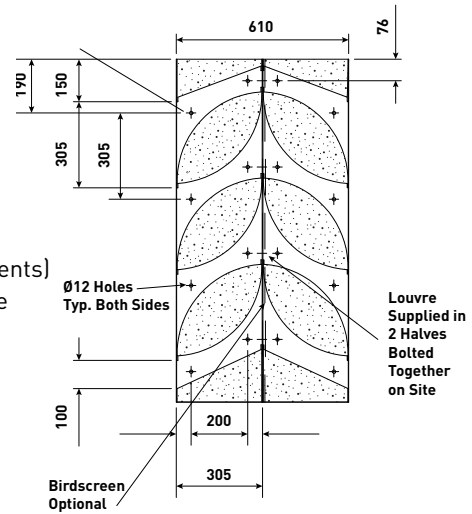
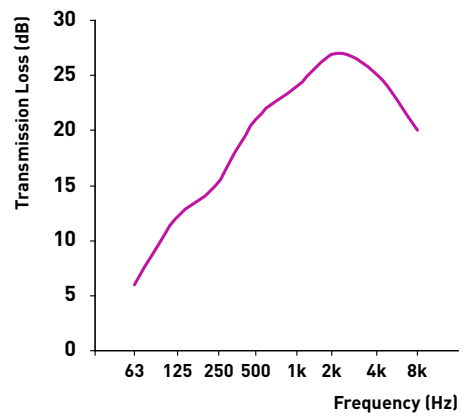


**Weight** 80kg/m<sup>2</sup>      **Module Width** 300 - 1800mm  
**Standard Module Height** 305 - 3660mm (in 305mm increments)  
 Intermediate heights are available



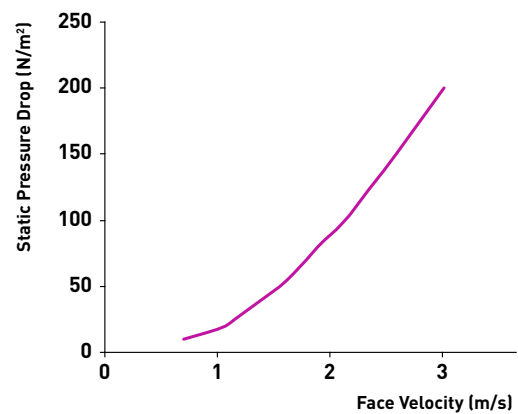
Acoustic Performance

Octave Band Centre Frequency (Hz)	63	125	250	500	1k	2k	4k	8k
Transmission Loss (dB)	6	12	15	21	24	27	25	20
Acoustic Rating	<b>R<sub>w</sub>24dB / D<sub>new</sub>31dB</b>							



Aerodynamic Performance

Static Pressure Drop (N/m <sup>2</sup> )	10	20	30	40	50	60	70	80	90	100
Face Velocity (m/s)	0.70	1.07	1.21	1.39	1.55	1.68	1.79	1.89	2.01	2.13
Nominal Free Area	43%*      * Average over louvre depth									
Aerodynamic Coefficient	<b>34.68k</b>									



Errors and Omissions Excepted (E&OE).