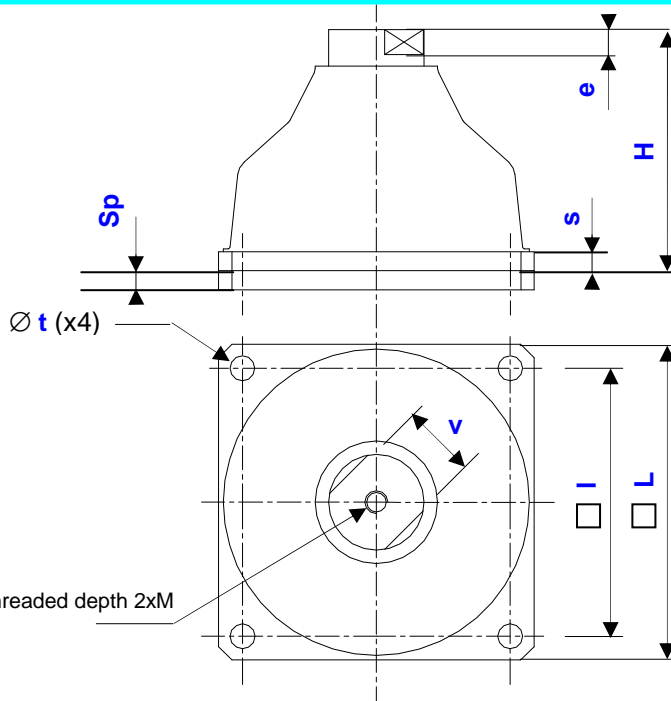


# low frequency elastomer mounts navy shock line "BF"

series  
**BF45**

## definition



- Multidirectional anti-vibration/shock mounts.
- Displacement under shock from 45 to 70mm.
- Transmissibility :  $Q < 10$ .
- Resonant frequency 6Hz for nominal load.
- Temperature range :  $-30^{\circ}\text{C}$   $+90^{\circ}\text{C}$ .
- Great adaptability/versatility : Specials on request (materials, size and interfaces, etc.).



Dimensions are in mm.

### Series

Materials and finishes

#### BF45

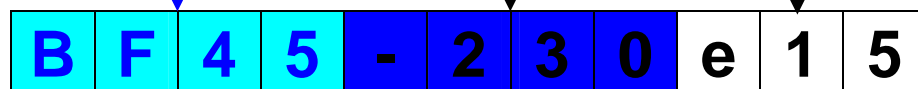
**Elastomer :**  
polychloroprene  
**Top and bottom interfaces :**  
salt fog anti corrosion paint

Other materials on request.

### Dimensions and Load

Model	H	L	l	e	v	t	M	s	Sp	nom. load (daN)	axial stiffness (N.mm <sup>-1</sup> )	mass (kg)
<b>-30</b>	100	150	114	10	27	9	M10	5	-	30	25	1,2 (2,3) (3,5)
<b>-45</b>										45	35	
<b>-60</b>										60	50	
<b>-85</b>										85	65	
<b>-110</b>										110	85	
<b>-130</b>	126	165	140	13	41	13	M20	10	-	130	100	3,4 (3,8) (4,7)
<b>-170</b>										170	130	
<b>-230</b>										230	175	
<b>-320</b>										320	230	
<b>-425</b>										425	290	
<b>-500</b>	154	250	210	14	41	18	M24	15	-	500	400	12,5
<b>-625</b>										625	500	
<b>-800</b>										800	650	
<b>-1080</b>										1080	840	

Example :  
BF45-230e15



**Prefix :**  
"Low Frequency" mount from the **BF45** series

**Model : -230**  
height : 126 mm  
width : 165 mm  
interface : M20

nom. load : 230 daN  
axial average stiffness : 175 N.mm<sup>-1</sup>

**Spacer : e15**  
thickness : 15 mm

01/07/2013

Socitec  
BP 33, 78501 Sartrouville cedex - France  
Telephone : +33 (0)1 61 04 60 00  
Fax : +33 (0)1 39 14 03 27  
<http://www.socitec.com>  
e-mail : [shock-intl@socitec.com](mailto:shock-intl@socitec.com)



Document subject to modification without prior notice